

上承重幽灵门

Top Load-bearing Invisible Door

产品特点:

- 内置式轨道设计
- 五金全隐藏, 美观大方
- 开启关闭轻启动
- 滑动顺畅静音
- 门重达60KG
- 门宽最大达1.5米

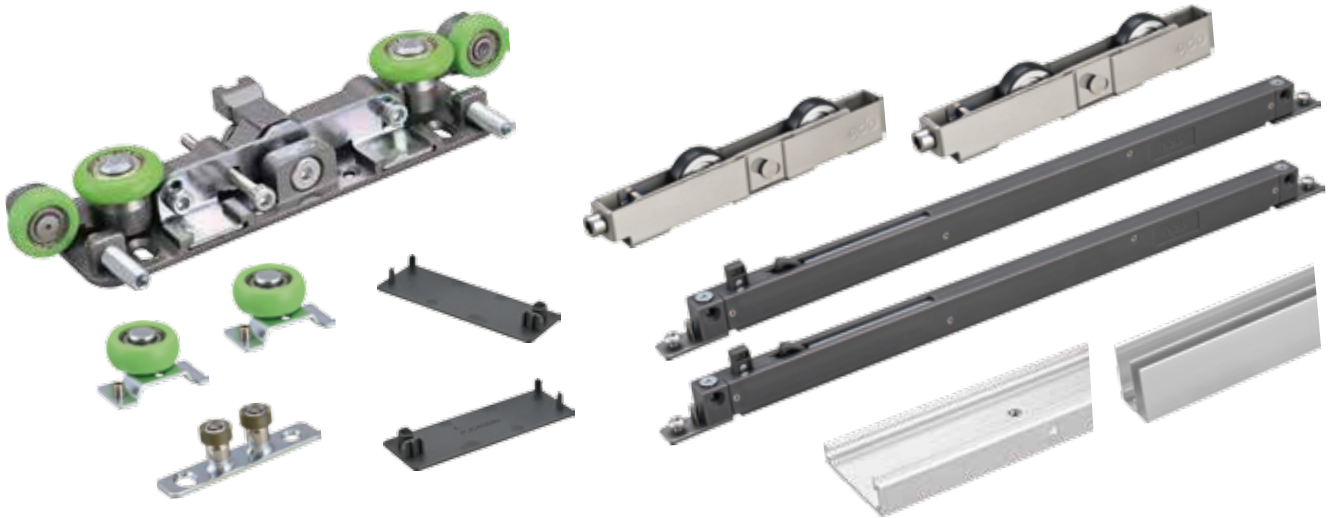
Product Features:

- Built-in track design
- Hardware fully hidden, beautiful and generous
- On or Off the button is light-starting
- Sliding smooth and silent
- The load-bearing of one single door can even be 60KG
- The maximum width of the door is 1.5 meters



上承重幽灵门套装

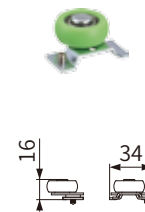
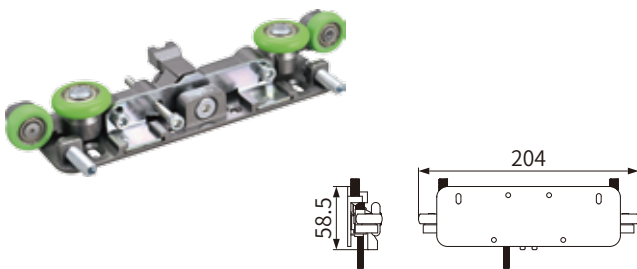
Top Load-bearing Invisible Door SET



| 套装编码 Set Code | 内包装规格 Inner package specification | 外包装规格 Outer package specification |
|------------------|--------------------------------------|--------------------------------------|
| CA190003-001 | 1套/盒 One set/box | 20套/箱 20 set/carton |

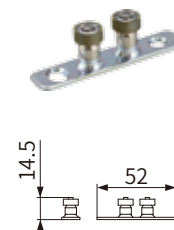
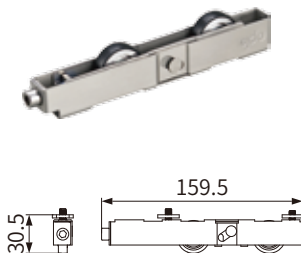
标准配置

STANDARD CONFIGURATION



| 产品名称 Product name | 数量 Quantity | 下单编码 Order number |
|--|----------------|----------------------|
| 幽灵门上轮 The top wheel of Invisible door | x1 | CA991419-001 |

| 产品名称 Product name | 数量 Quantity | 下单编码 Order number |
|--|----------------|----------------------|
| 幽灵门(防碰) Nvisible door(Anti-collision) | x2 | CA991418-001 |

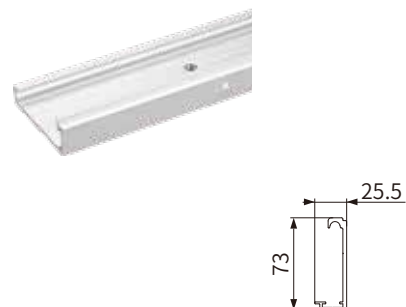


| 产品名称 Product name | 数量 Quantity | 下单编码 Order number |
|---------------------------------------|----------------|----------------------|
| 1520下滑轮 1520 Bottom Sliding Roller | x2 | CA991001-001 |

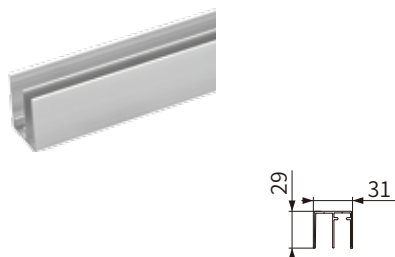
| 产品名称 Product name | 数量 Quantity | 下单编码 Order number |
|---------------------------|----------------|----------------------|
| 下定位 Bottom guide wheel | x1 | CF990184-001 |



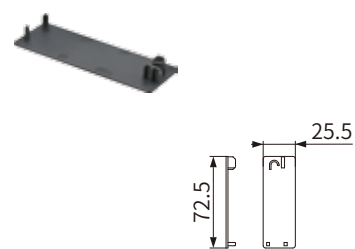
| 产品名称 Product name | 数量 Quantity | 下单编码 Order number |
|-------------------------|----------------|----------------------|
| 反向阻尼器 Reverse damper | x2 | 624811 |



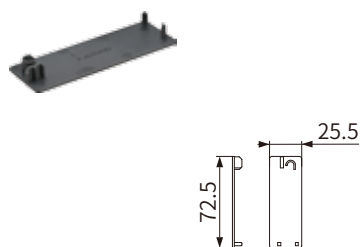
| 产品名称 Product name | 数量 Quantity | 下单编码 Order number |
|---|----------------|----------------------|
| 上轨_银白_1.5米 Top track_Silver color_1.5meter | x1 | A1732-X001 |



| 产品名称 Product name | 数量 Quantity | 下单编码 Order number |
|--|----------------|----------------------|
| 下轨_银白_1.5米 Bottom track_Silver color_1.5meter | x1 | A1731-X001 |

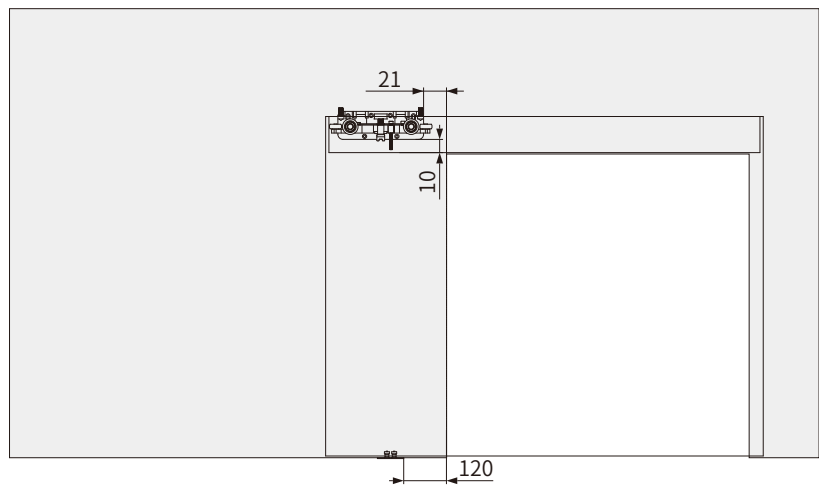
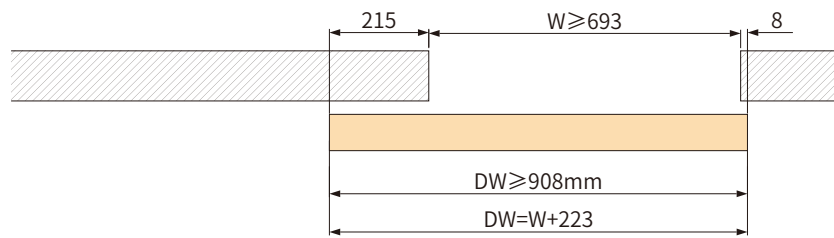
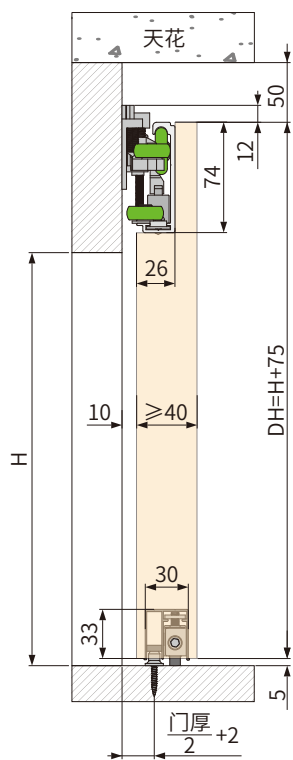


| 产品名称 Product name | 数量 Quantity | 下单编码 Order number |
|--|----------------|----------------------|
| 装饰盖(右) Decorative door cover(right) | x1 | 653806 |



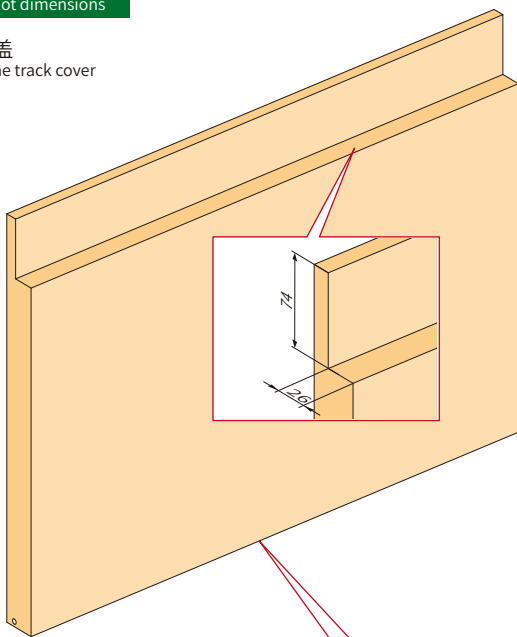
| 产品名称 Product name | 数量 Quantity | 下单编码 Order number |
|---------------------------------------|----------------|----------------------|
| 装饰盖(左) Decorative door cover(left) | x1 | 653807 |

配合轨道
Matching track



门扇开槽尺寸
Door slot dimensions

有端盖
With the track cover



无端盖
Without the track cover

